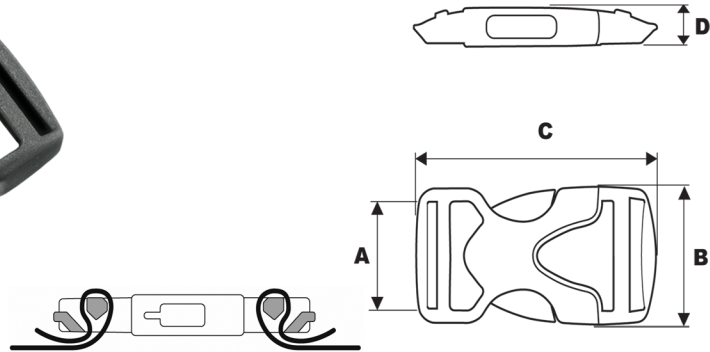


# Apex SR Dual

The Apex SR is an ultra lightweight buckle with a high strength to weight ratio. V-shaped open architecture provides directional styling and large finger wells allow easy access and low release force. The Dual offers adjustment from both sides of the part.



23

Apex SR 16 Dual (shown w/Latch 403-1000)

403-2000

Material      Color      A      B      C      D

A      B      16.8      23.8      48.3      8.1

Apex SR 20 Dual (shown w/Latch 403-1100)

403-2100

A      B      20.7      25.6      50.4      8.1

Apex SR 25 Dual (shown w/Latch 403-1200)

403-2200

A      B      26.0      33.2      62.2      9.2

Apex SR 40 Dual (shown w/Latch 403-1300)

403-2300

A      B      39.3      46.4      66.8      10.7

All dimensions in mm.